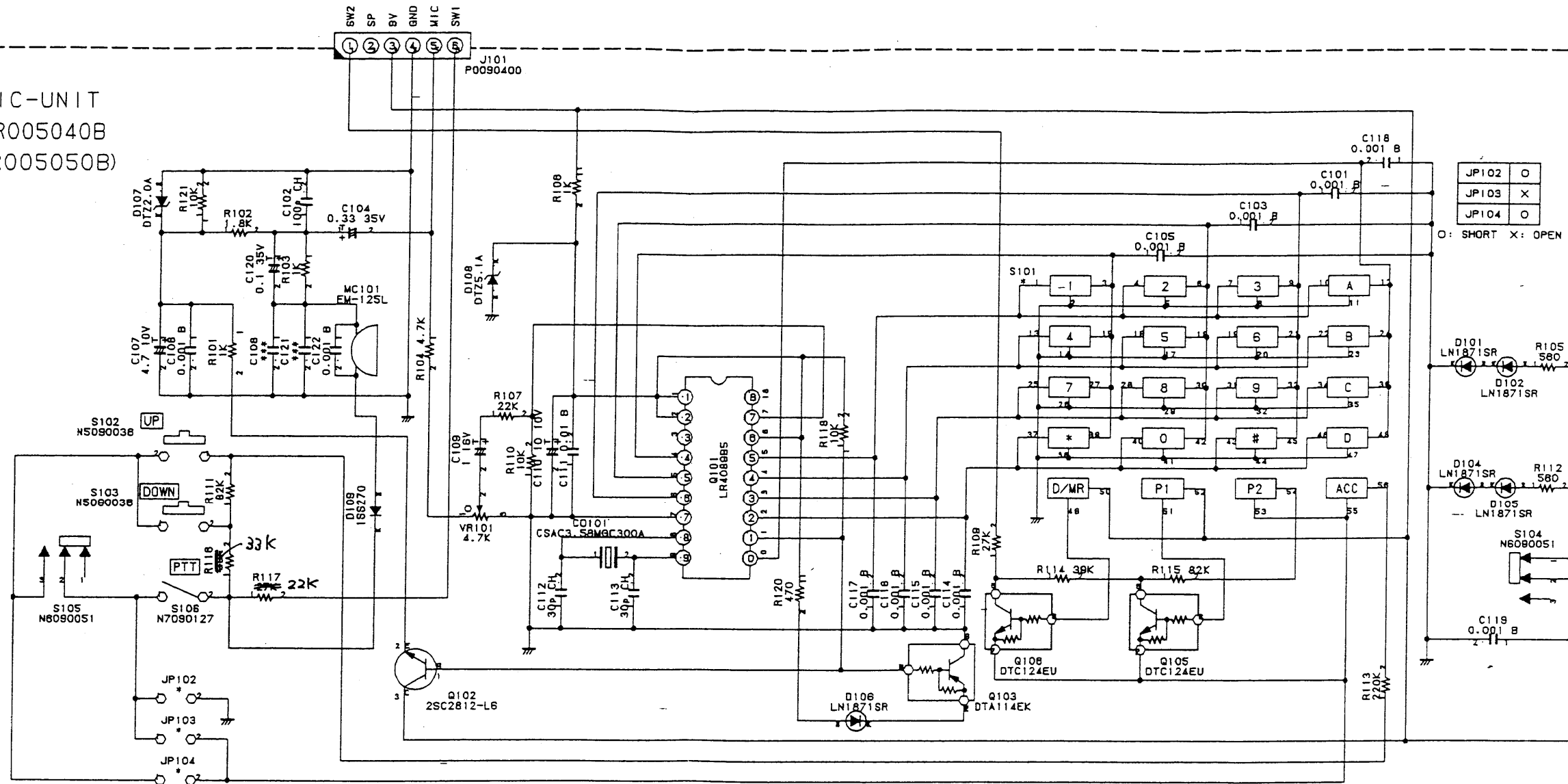
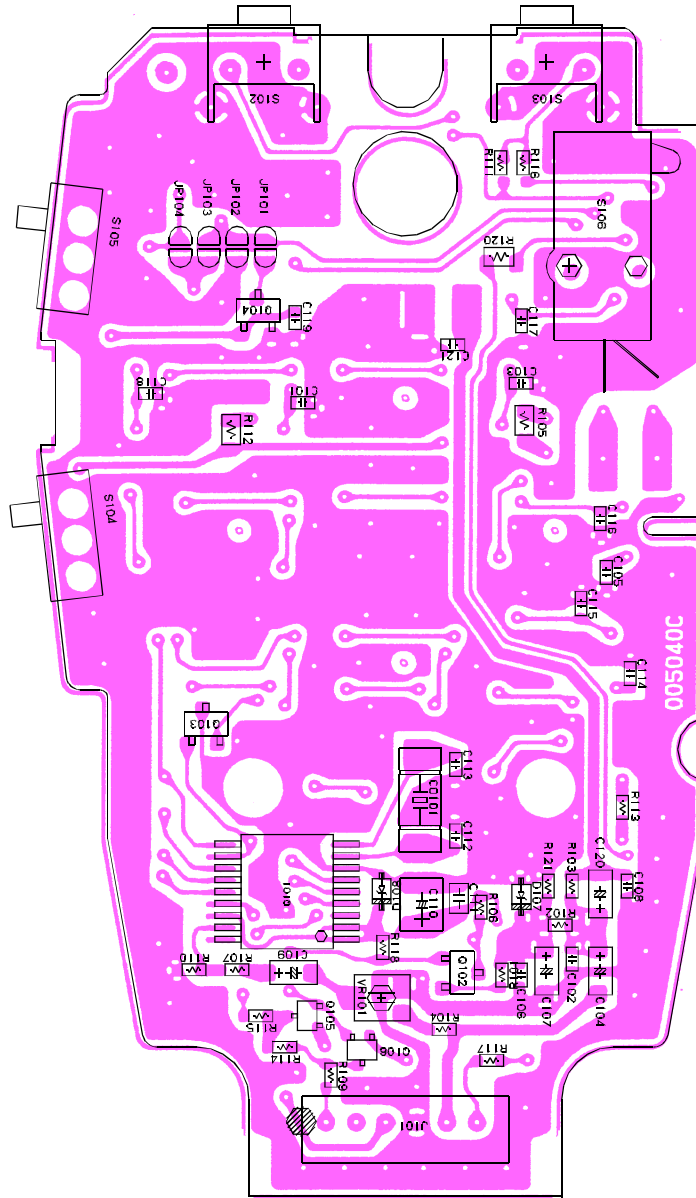


MIC-UNIT
FR005040B
(FR005050B)



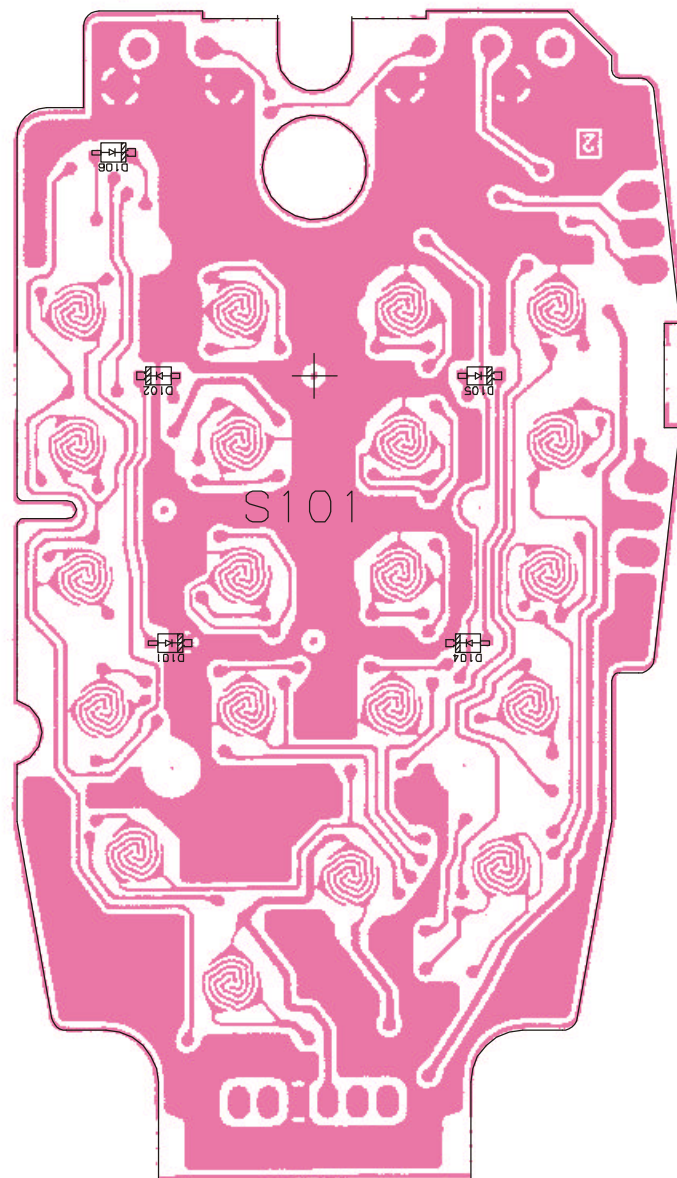
NOTE:
RESISTOR VALUES ARE IN Ω, 1/160W ;
CAPACITOR VALUES ARE IN μF, 500V ;
(T) CAPACITOR VALUES ARE TANTALUM ;
INDUCTOR VALUES ARE IN H
UNLESS OTHERWISE NOTED.

MH-36 Series



PTT Side

MH-36 Series



LED Side